

Threaded Universal 60W Power Supply



PART

UL Part Number	Ordering Part Number
PL-60-12-MU	P-OH060-12-PL-T

PERFORMANCE

Input Voltage	100~277 VAC
Input Current	1.1A~0.45A
Input Frequency	47~63Hz
Power Factor	Normal
Output Voltage	DC12V \pm 3%
Output Current	0-5.0A
Output Power	60W Max.

PHYSICAL

Length	7.28" (185mm)
Width	1.90" (48.5mm)
Height	1.39" (35.5mm)
Mounting Length	8.28" (210.5mm)
Weight	1.27 lbs (580g)
Lead Lengths	SVT Cable 8.66" \pm 0.39" (220mm \pm 10mm)

ORDERING GUIDE

P	O	H	060	12	PL	T
Power Supplies	Outdoor, Direct-wire	100-277 VAC	Max. 60W	12VDC Output	Principal LED Power Supply	Threaded

FEATURES

- Universal input voltage 100 ~ 277 VAC
- Aluminum shell, silicone potted
- 100% full load burn-in tested
- Wet, Damp or Dry Locations Rated

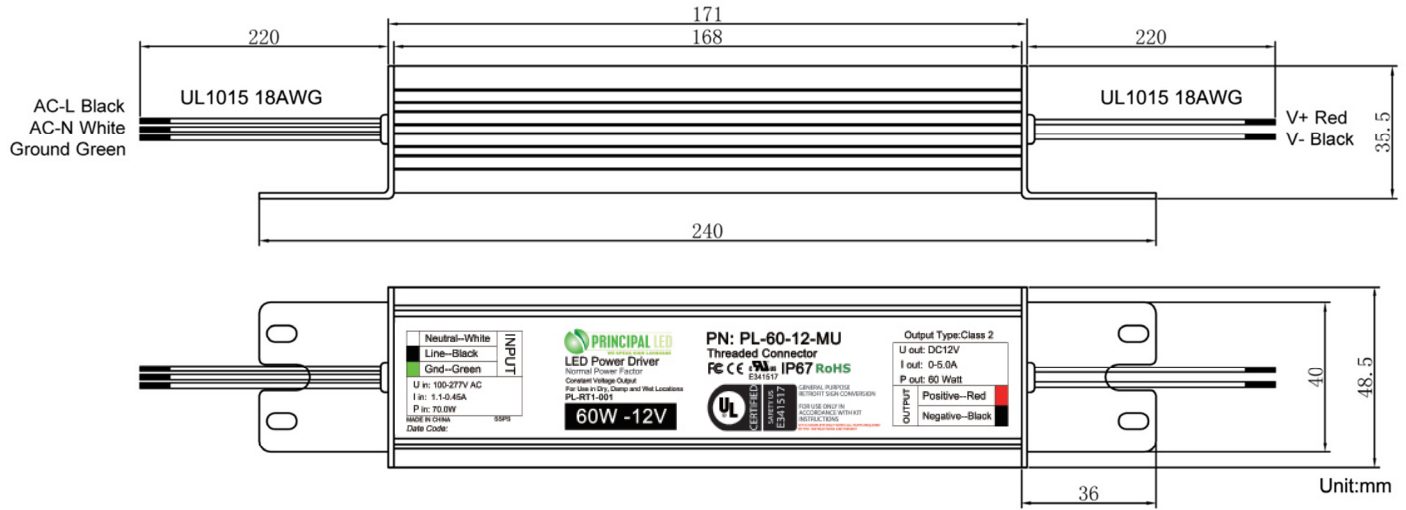
SAFETY

Over Current Protection	110~120%
Short Circuit Protection	Hiccup mode, auto recover
Other Protection	Over Voltage
UL	UL879 / UL8750
CE-LVD	EN61347-1:2008+A1:2011+A2:2013 EN61347-2-13:2014

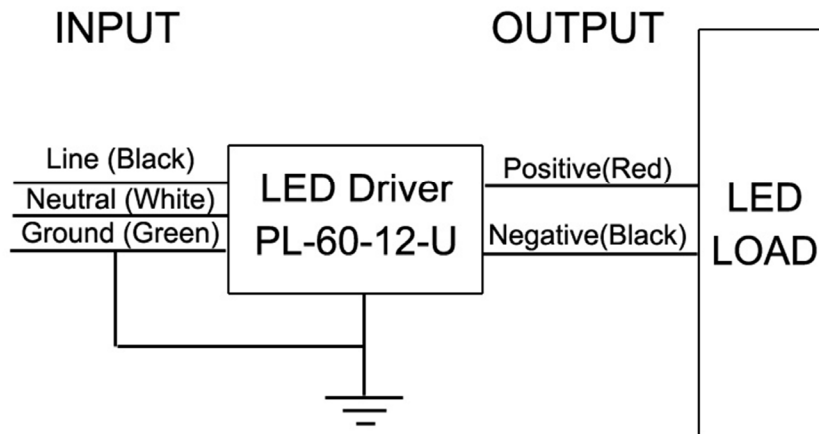
ENVIRONMENTAL

CE-EMC	EN55015, EN61527, EN61000
FCC	FCC 47 CFR PART 15, CLASS B
IP Rating	1P67
Operating Temperature	-30°C to 60°C (-22°F to 140°F)
Storage Temperature	-40°C to 85°C (-40°F to 185°F)
Relative Humidity	20 to \pm 90% RH non cond.

MECHANICAL OUTLINE:



WIRING DIAGRAM:



www.p-led.com

(325) 227-4577

3490 Venture Drive, San Angelo, Texas 76905

info@p-led.com