

# Universal 120W Power Supply



## PART

UL Part Number	Ordering Part Number
PL-120-12-U	P-OH120-12-PL

## PERFORMANCE

Input Voltage	100~277 VAC
Input Current	2.2A~0.90A
Input Frequency	47~63Hz
Power Factor	Normal
Output Voltage	DC12V $\pm$ 3%
Output Current	0-5.0A * 2 (Dual Output)
Output Power	120W Max.

## PHYSICAL

Length	6.73" (171mm)
Width	3.46" (88mm)
Height	1.39" (35.5mm)
Mounting Length	7.79" (198mm)
Weight	2.16lbs (980g)
Lead Lengths	SVT Cable 8.66" $\pm$ 0.39" (220mm $\pm$ 10mm)

## ORDERING GUIDE

P	O	H	120	12	PL
Power Supplies	Outdoor, Direct-wire	120-240 VAC	Max. 120W	12VDC Output	Principal LED Power Supply

## FEATURES

- Universal input voltage 100 ~ 277 VAC
- Aluminum shell, silicone potted
- 100% full load burn-in tested
- Dry or Damp Locations Rated

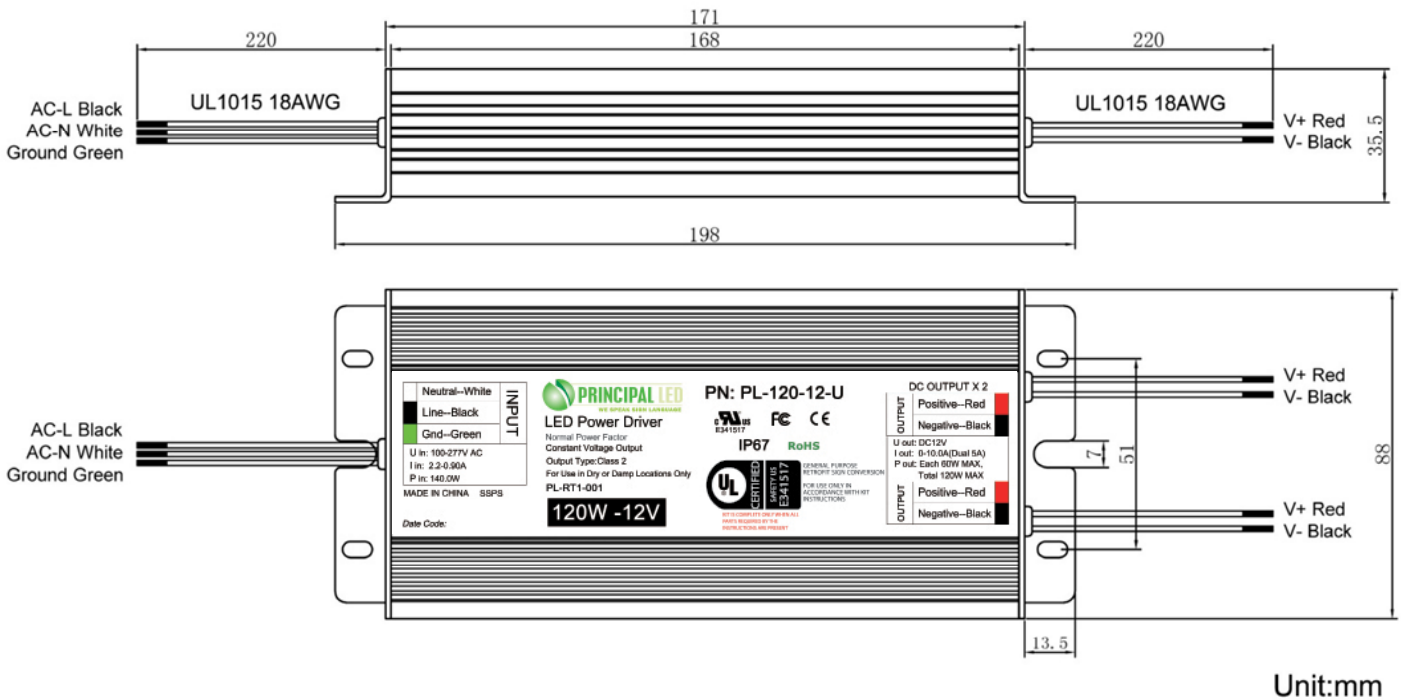
## SAFETY

Over Current Protection	110~120%
Short Circuit Protection	Hiccup mode, auto recover
Other Protection	Over Voltage
UL	UL879 / UL8750
CE-LVD	EN61347-1:2008+A1:2011+A2:2013 EN61347-2-13:2014

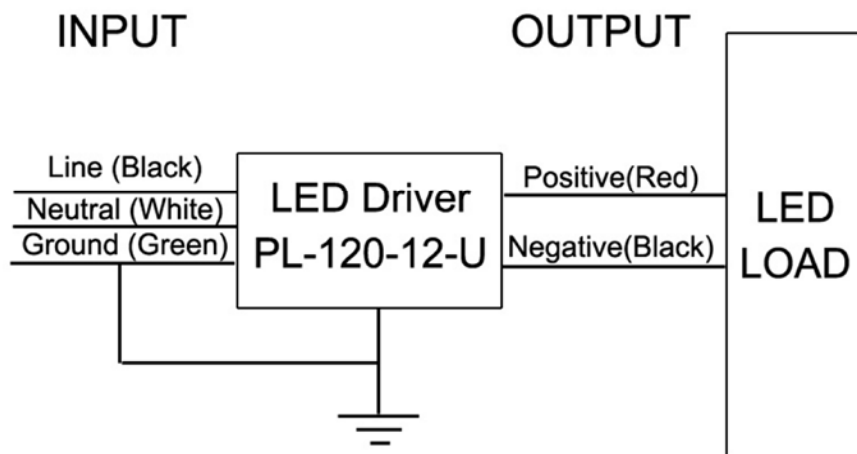
## ENVIRONMENTAL

CE-EMC	EN55015, EN61527, EN61000
FCC	FCC 47 CFR PART 15, CLASS B
IP Rating	1P67
Operating Temperature	-30°C to 60°C (-22°F to 140°F)
Storage Temperature	-40°C to 85°C (-40°F to 185°F)
Relative Humidity	20 to $\pm$ 90% RH non cond.

**MECHANICAL OUTLINE:**



**WIRING DIAGRAM:**



www.p-led.com

(325) 227-4577

3490 Venture Drive, San Angelo, Texas 76905

info@p-led.com